

QUIXANT



Deliver the ultimate sports betting experience

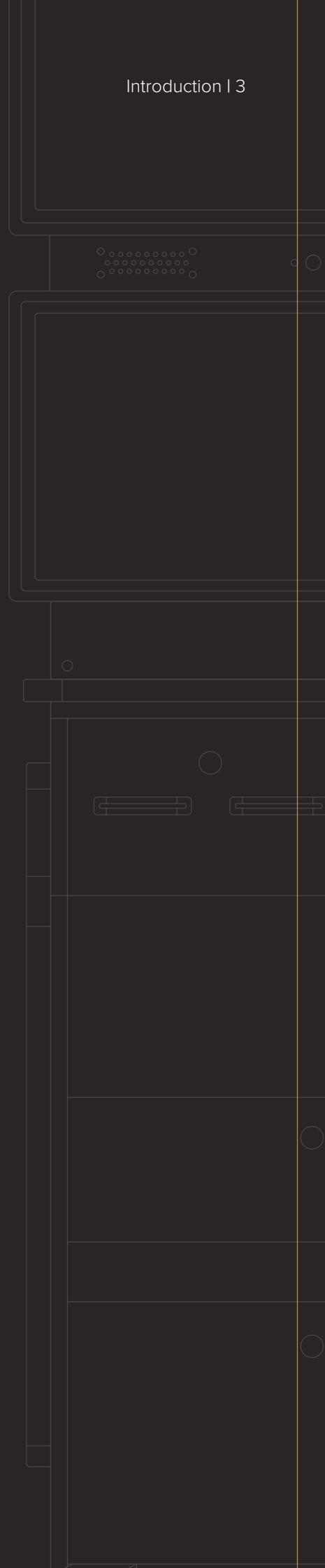
QINETIC

Introduction

When your goal is to deliver the ultimate gaming or sports betting experiences, focusing on the elements that enhance the customer experience is key. Outsource your cabinet, terminal or kiosk solutions to Quixant, the gaming and sports betting technology experts, so you can get ahead of the game.

Our range of turnkey Qinetic cabinets, kiosks and betting terminals is tailored to the requirements and legislation of the gaming and sports betting industry. The highly configurable, cost-effective range of cabinets is powered by our market-leading hardware platforms, for flawless, immersive live streaming and supports a comprehensive suite of peripherals.

With expert technical support from our in-house product design team, you can customize our products, your way. Integrate your sports book, stand back and watch it transform into an engaging sports betting kiosk or terminal.



Why Quixant?

With Quixant, you can get your betting kiosk or terminal to market faster, and make it stand out from the crowd. We enable you to push what's possible, adding the wow factor that doesn't just stop customers in their tracks but keeps them coming back.



Fitted with a powerful and reliable Quixant hardware platform of your choice



Market leading peripherals integrated, with the ability to customize as desired



High quality monitors/PCAP touchscreens in a range of screen size options



Easy to access and service all key components



Highly configurable, with expert support from our in-house product design team



Accent lighting via integrated LED controller

Launch **world-class** products in record time



What is QinetiC?

Quixant's innovative range of cost-effective cabinets, sports betting terminals and kiosks, designed to meet the requirements and legislation of the gaming and sports betting industry.

Available in a range of display and button deck configurations to best display your content, they are powered by our market-leading hardware platforms and software solutions and come with a comprehensive suite of peripherals.

Our turnkey cabinets are highly configurable to your individual product and market requirements, with expert technical support from our in-house product design team.

FEATURES

Standard display configurations

- Dual 23.8" FHD
- Dual 27" FHD
- 32" Flat FHD

Options

- Mechanical buttons
- Player-facing camera (on dual screen models)
- Integrated 2D barcode reader
- Coin acceptor

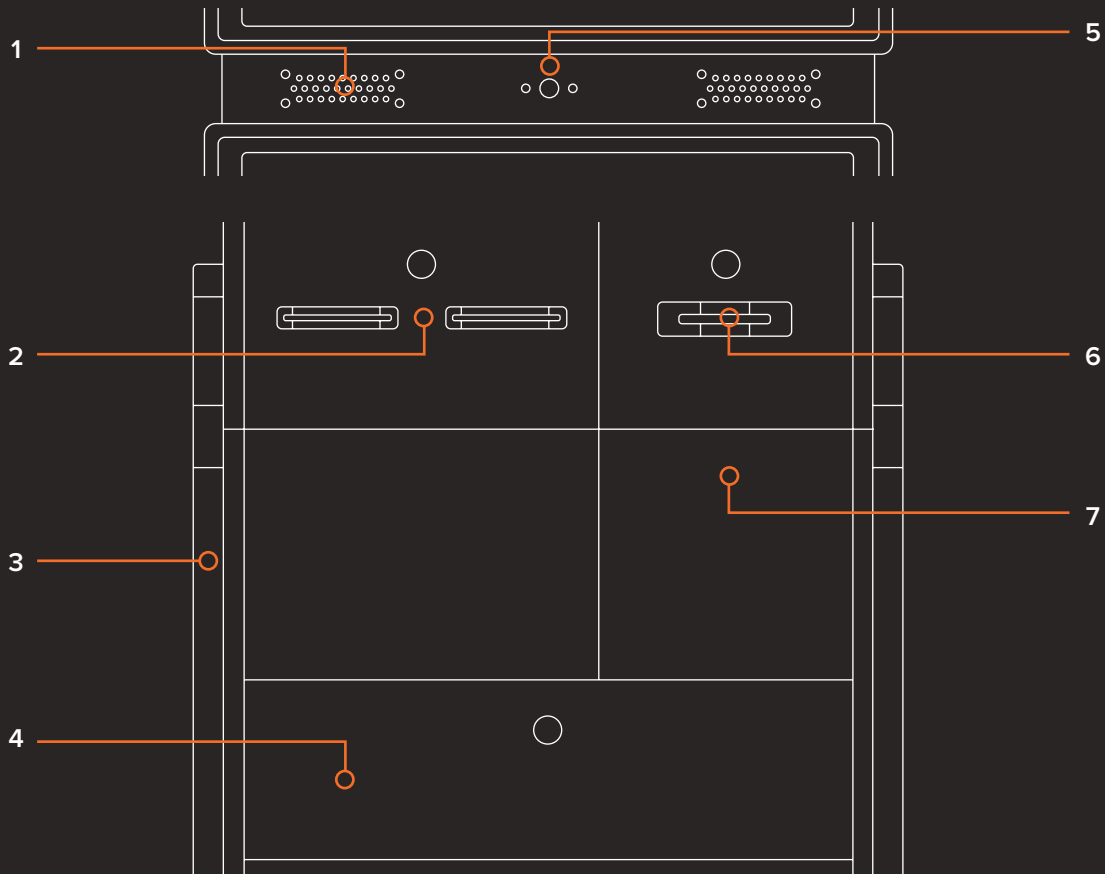
Standard Core

- Interchangeable bill validators from JCM, MEI and ITL
- Interchangeable industry-standard thermal roll printers

OPERATING SPECIFICATIONS

Operating temperature	0~40°C
Power requirements	110-230V AC Input / 6A max
Certifications	cETLus
Thermal	Active-cooling
Length	28.6" / 727mm ¹
Width	25.3" / 642mm ¹
Height	70.3" / 1785mm - 73.8" / 1874mm ¹
Weight	400 lbs (181.4kg) ¹

¹ Size and weight may vary depending on screen size. Check individual models for the specific measurements.



CONFIGURATIONS



1) 2.1 Stereo Audio

To deliver the optimum audio experience



5) Optional web camera for facial recognition



2) Support for up to two industry standard thermal roll printers

With dedicated access door



6) Support for industry standard bill validators

With dedicated access door



3) Dynamic cabinet wide LED lighting

Ability to synchronise LEDs across multiple machines for maximum effect



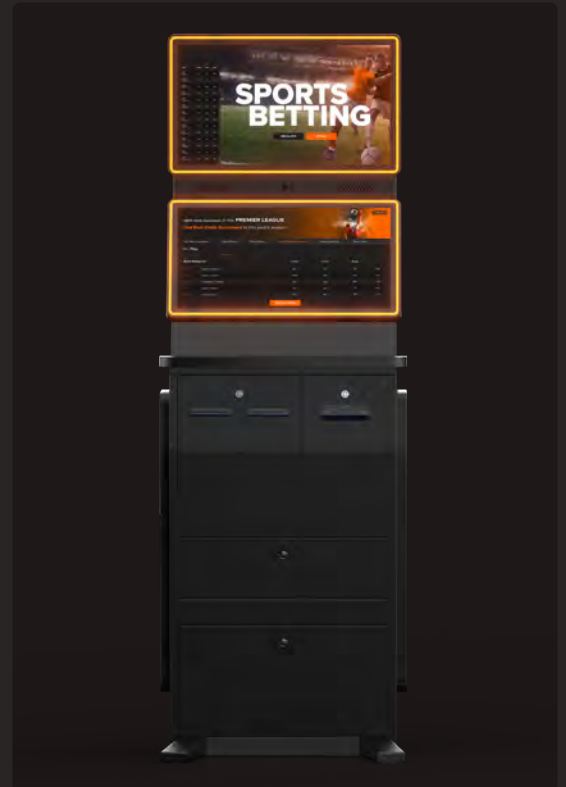
7) Standard jackpot and attendant keys optional

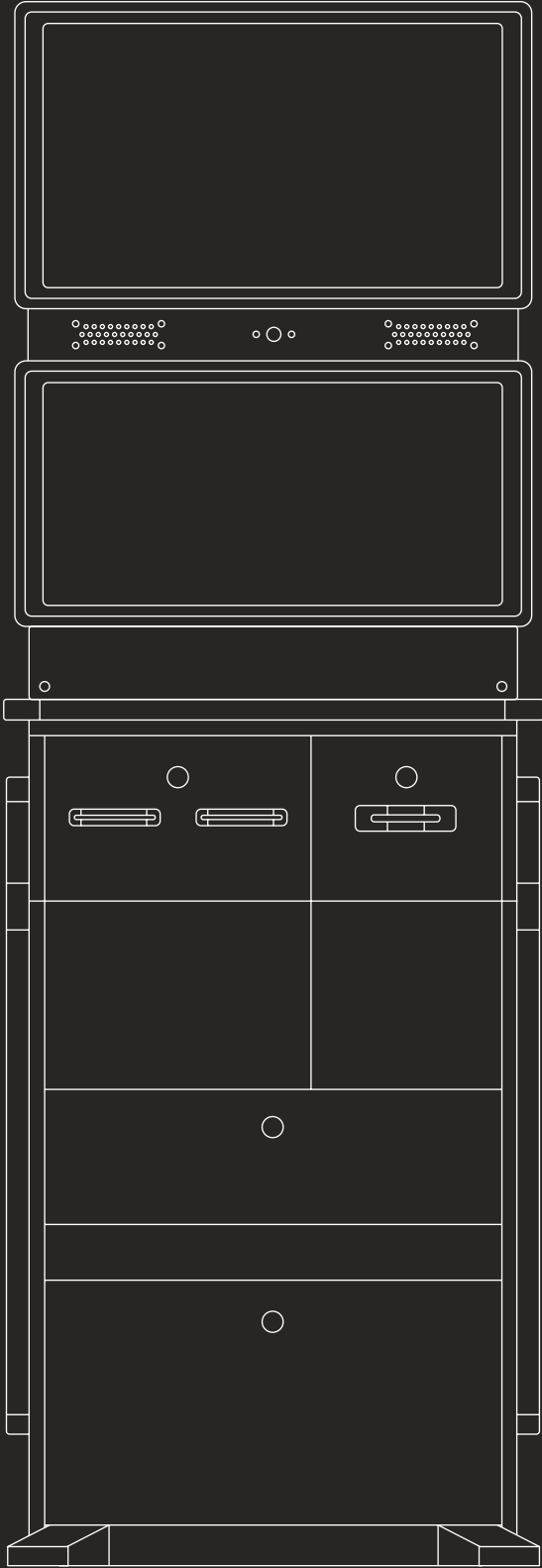


4) Optional coin handling with locking tray

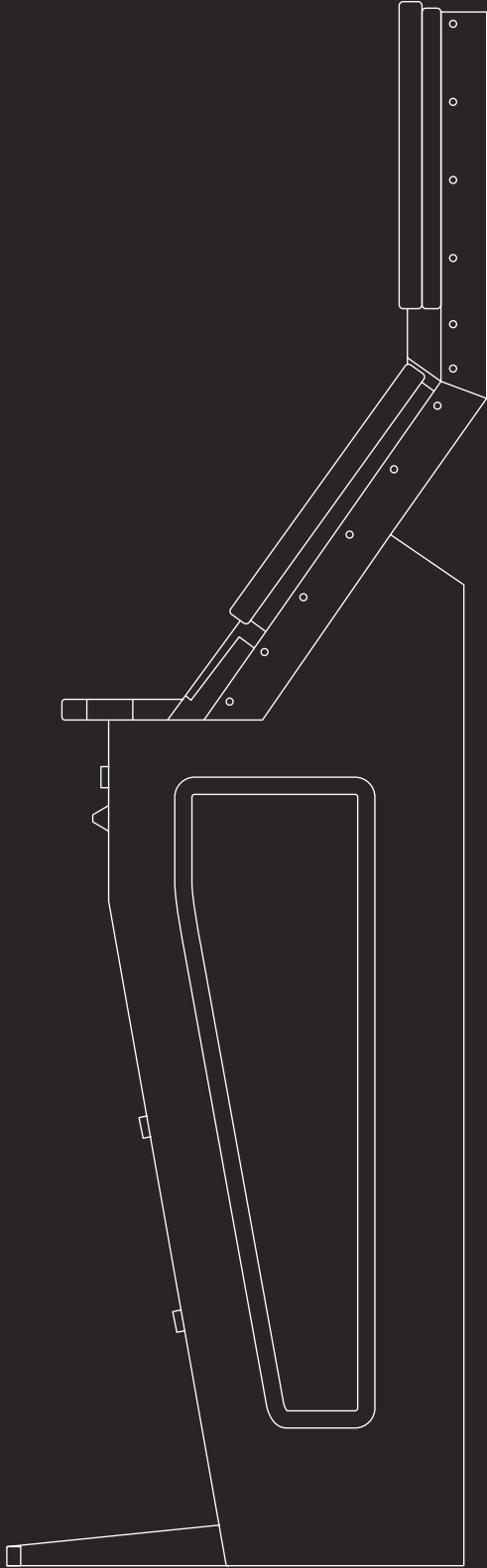
8 | Specifications: Dual 23.8" FHD

Specifications: Dual 23.8" FHD





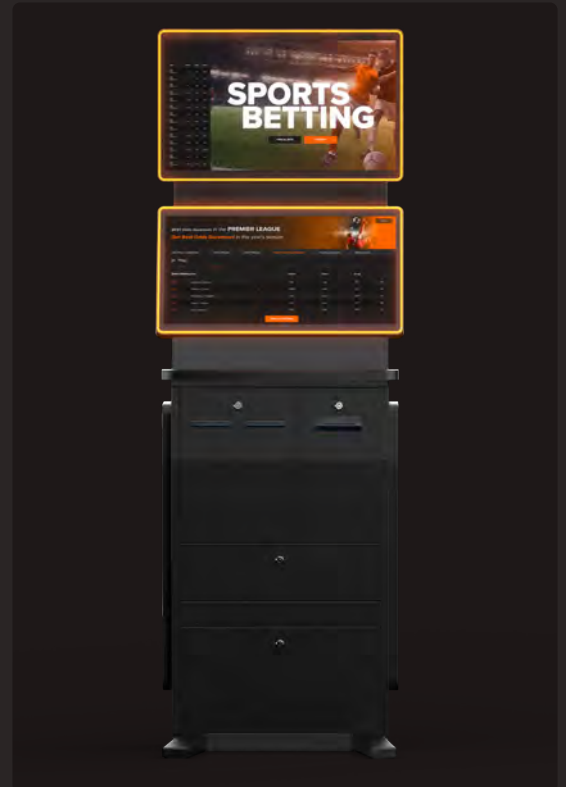
25.3" / 642mm

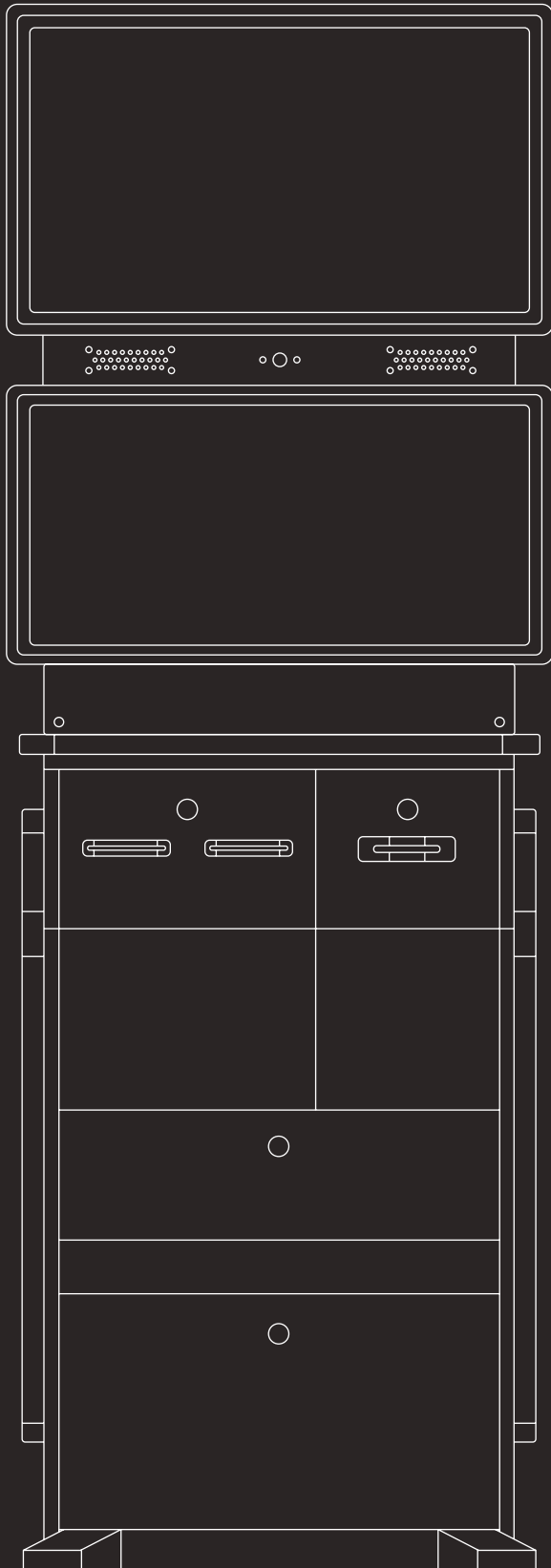


28.6" / 727mm

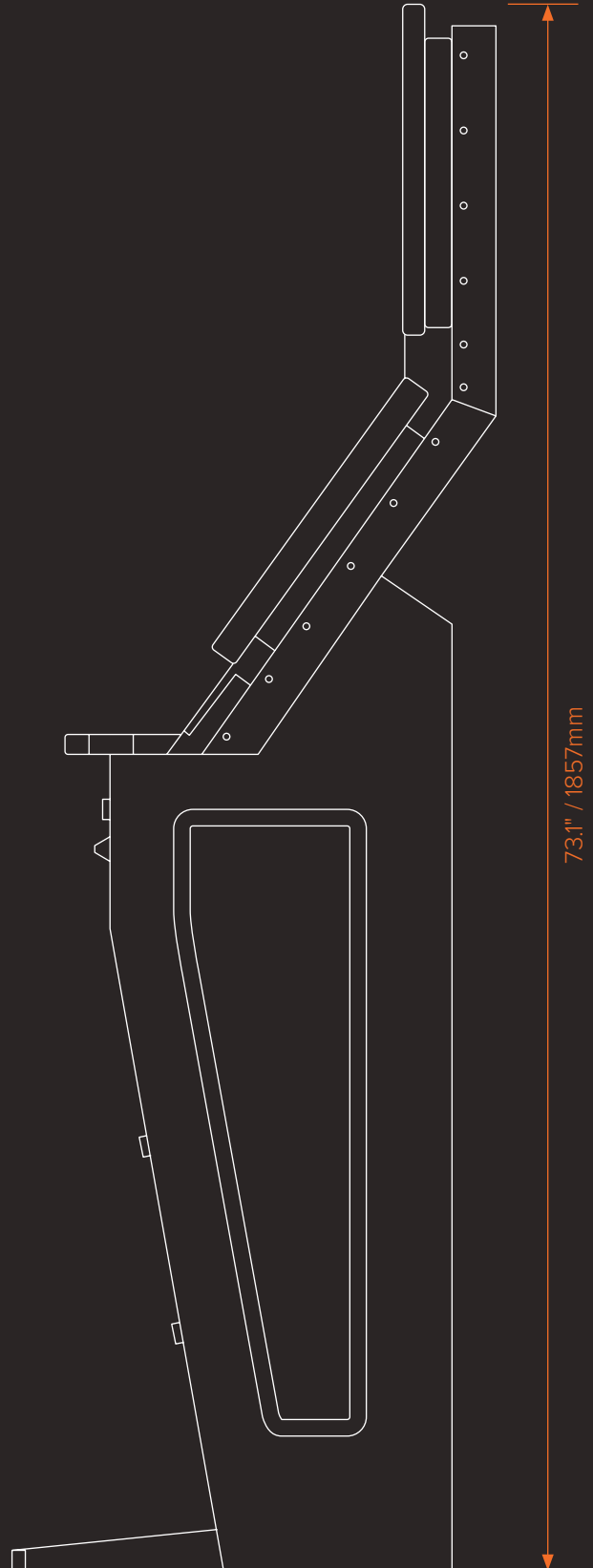
70.3" / 1785mm

Specifications: Dual 27" FHD





25.3" / 642mm

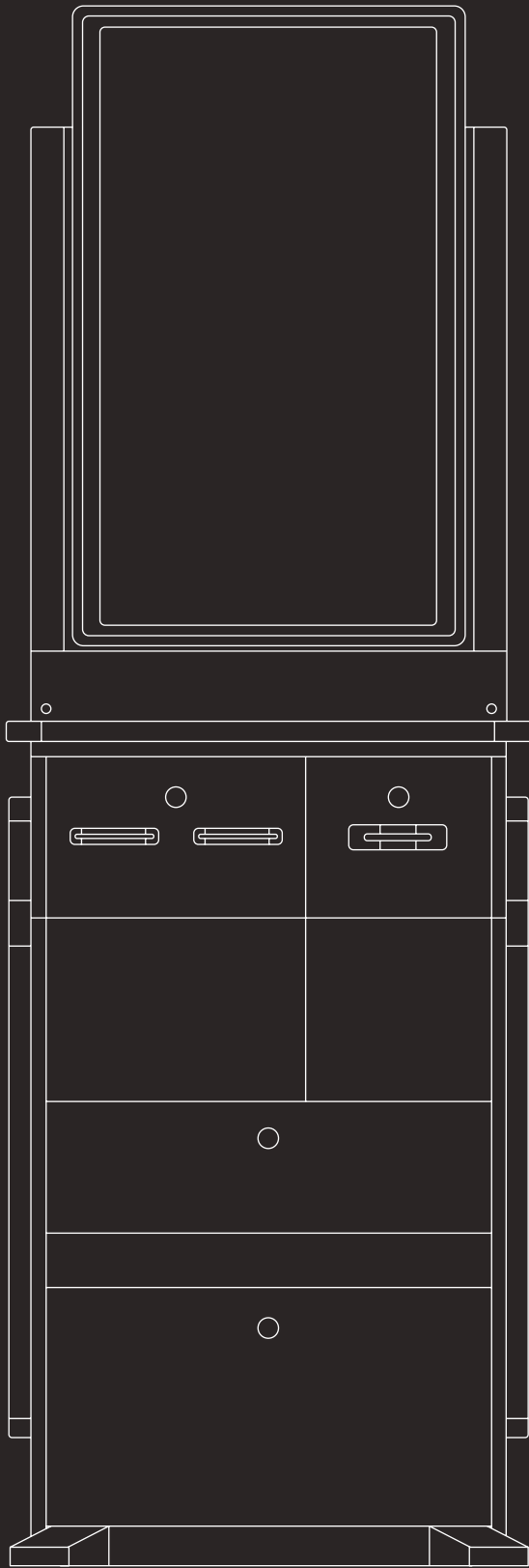


28.6" / 727mm

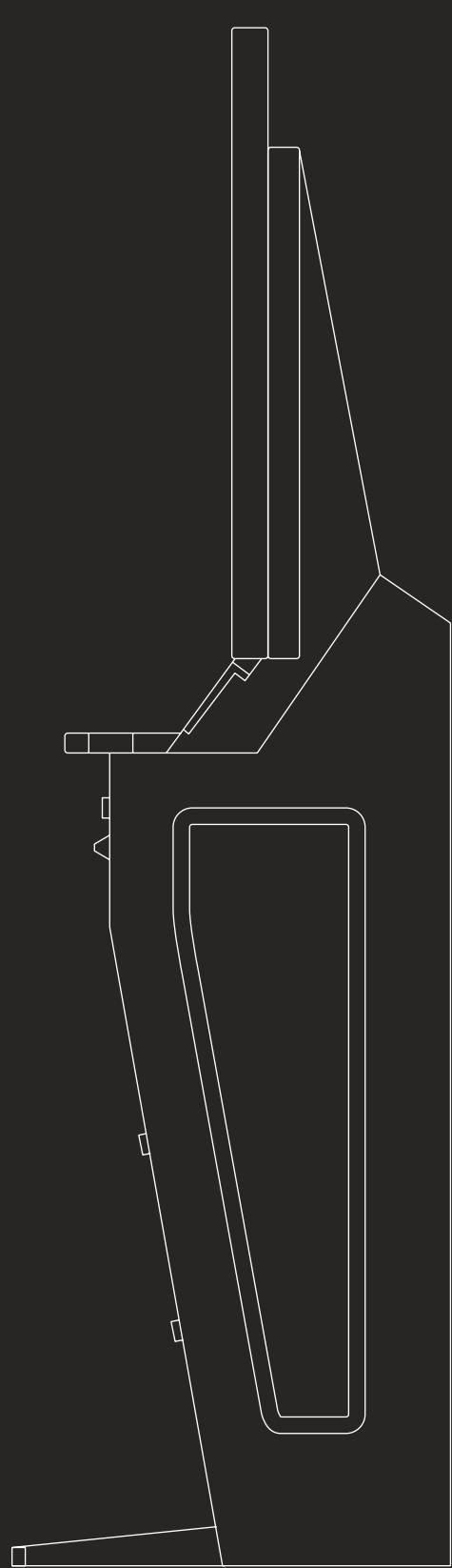
73.1" / 1857mm

Specifications: 32" Flat FHD





25.3" / 642mm



28.6" / 727mm

73.8" / 1874mm

QINETIC

Unleash your creativity with QinetiC and deliver game-changing sports betting experiences to your customers.

Our in-house product design team is here to discuss how we can configure our products to your individual product and market requirements, with expert technical support throughout your product development and delivery journey.

Available via a number of commercial and service models, there is a solution perfect for everyone.

WHY PARTNER WITH QUIXANT?



The world's best hardware platforms, cabinets and kiosks, displays and accessories



Market leading content optimization and security software



Global regulatory compliance guaranteed



Tailored commercial and supply chain solutions



Exclusive industry focus and expertise



Innovation commitment

Visit Quixant.com/cabinets to further explore our cabinet, terminal, and kiosk range and arrange for a member of the team to contact you, or speak to your account manager directly if we are already connected.

Create.
Customize.
Optimize.
Never compromise.